

# Diaphragm Type Low Pressure Gauge

Model No. **SS-3055 Series**

**KINS**



**SS-3055**

## Summary

This gauge is designed to guarantee the performance and the lifespan of the equipment which measures low temperature in case measuring fluid mixed with powder that has coagulation in pressure measurement in chemical industry or with high corrosiveness.

### Safety Management

- Be sure to install a protecting device where exist abrupt change of pressure, vibration and pulsation.
- Do not give impact during the transportation, installation and usage.
- Be sure to install pressure gauge to be horizontal and vertical.
- Do not disassemble the measuring device at your discretion

### Purpose of Use

- Measuring of Slurry micro pressure in terminal disposal plant of sewage
- Measuring of liquidity gas micro pressure in incinerator
- For measuring micro pressure in hard condition where measuring cannot be done by other measurement devices due to other unfavorable conditions.

### Production Specification

- ▶ **Diameter**
  - 100, 150 mm
- ▶ **Accuracy**
  - $\pm 1.5\%$  of Full Scale
- ▶ **Scale Range**
  - $-2 \text{ kPa} \sim 0, -1 + 1 \text{ kPa} \sim -20 + 20 \text{ kPa}$ ,
  - $0 \sim 35 \text{ kPa}$
  - ( $\approx 1 \text{ kPa} = 101.9716 \text{ mmH}_2\text{O}$ )
- ▶ **Working Pressure**
  - Static pressure : 75% of Full Scale
  - Fluctuating pressure : 60% of Full Scale
- ▶ **Working Temperature**
  - Ambient :  $-20 \sim 80 \text{ }^\circ\text{C}$
  - Fluid :  $-20 \sim 80 \text{ }^\circ\text{C}$

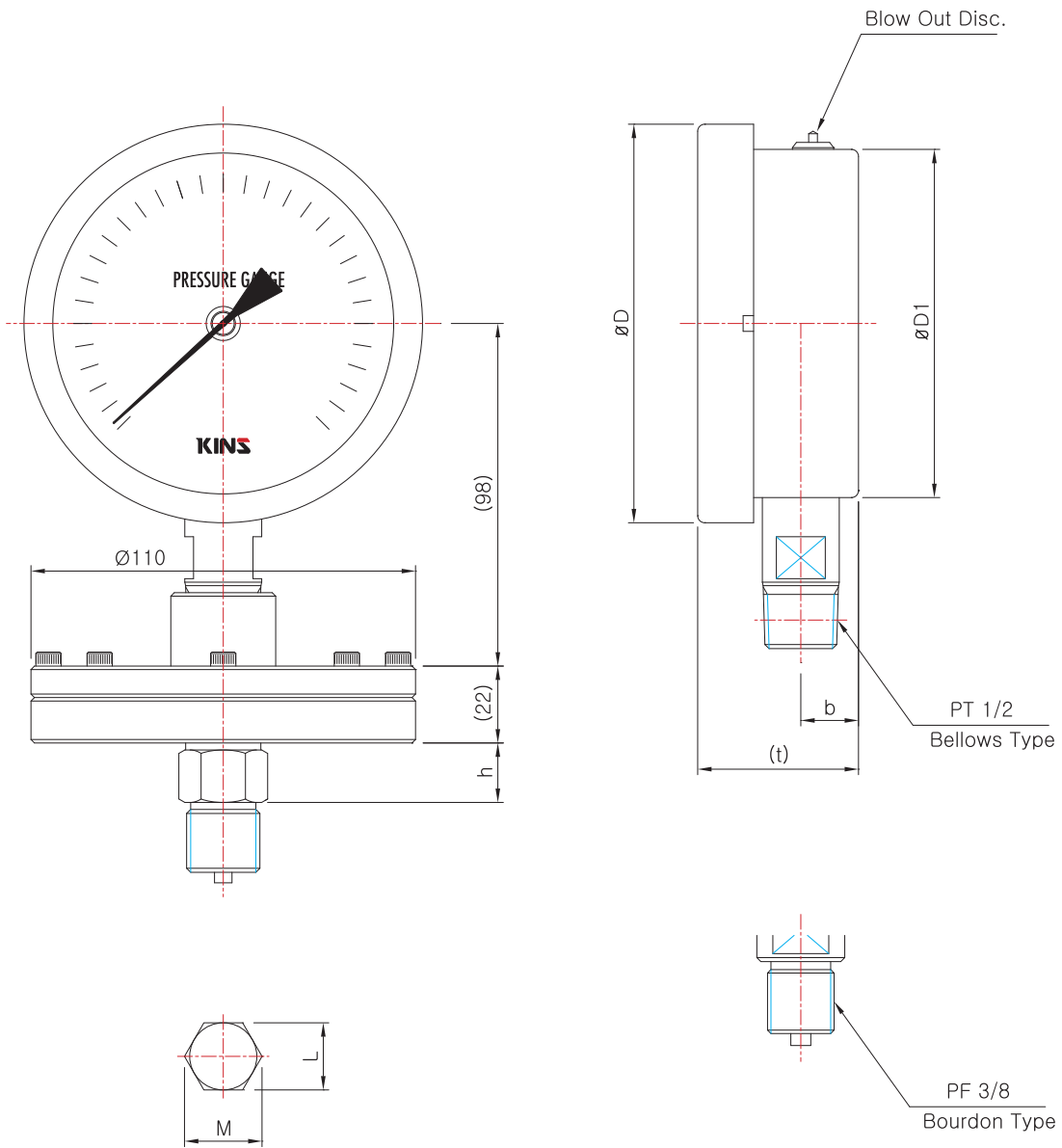
### Product Specification

<ul style="list-style-type: none"> <li>+ <b>Case &amp; Cover</b> <ul style="list-style-type: none"> <li>· STS 304</li> </ul> </li> <li>+ <b>Upper Flange</b> <ul style="list-style-type: none"> <li>· STS 304, STS 316</li> </ul> </li> <li>+ <b>Under Flange</b> <ul style="list-style-type: none"> <li>· STS 304, STS 316</li> </ul> </li> <li>+ <b>Connection</b> <ul style="list-style-type: none"> <li>· STS 316</li> <li>· PF, PT <math>\leftrightarrow</math> 3/8, 1/2</li> </ul> </li> </ul>	<ul style="list-style-type: none"> <li>+ <b>Window</b> <ul style="list-style-type: none"> <li>· Tempered safety glass,</li> <li>· Laminated safety glass</li> </ul> </li> <li>+ <b>Type</b> <ul style="list-style-type: none"> <li>· SS-3031-Type (Direct type - Screw)</li> </ul> </li> <li>+ <b>Pointer</b> <ul style="list-style-type: none"> <li>· Aluminum</li> <li>· Black coating</li> </ul> </li> <li>+ <b>Dial</b> <ul style="list-style-type: none"> <li>· Aluminum</li> <li>· White color coating</li> <li>· black (kPa), red (mbar) gradation and characters</li> </ul> </li> </ul>	<ul style="list-style-type: none"> <li>+ <b>Movement</b> <ul style="list-style-type: none"> <li>· Brass</li> </ul> </li> <li>+ <b>Diaphragm</b> <ul style="list-style-type: none"> <li>· STS 304, STS 316</li> <li>· Teflon(Lining, Coating), Titanium</li> <li>· Able to produce teflon(lining, coating)titanium, tantalum, hastelloy, etc</li> </ul> </li> </ul>
--	---	--

# Diaphragm Type Low Pressure Gauge

Model No. **SS-3055 Series**

Model No. | **SS-3055 (100mm)**  
A-Type (Rimless type), Direct Type



## Dimensions (mm)

Model No.	Conn'n (d)	ØD	ØD1	b	n	t	L	M	h
SS-3055	NPT & PT, PF 3/8	114	100	17	-	(46)	22	(25.4)	(20)
	NPT & PT, PF 1/2								

\*( )The measurement in the blanket is approximate.

Pressure Gauge

Differential Pressure Gauge & Switch

Accessories of Pressure Gauge

Thermometer & Thermometer Switch

Thermocouple & R.T.D

Thermowell

Transmitter

Indicator etc.

Technical data

# Diaphragm Type Low Pressure Gauge

Model No. **SS-3056 Series**

**KINS**



**SS-3056 100mm**

## Summary

This gauge is designed to guarantee the performance and the life span of the equipment which measures low temperature in case when measuring fluid mixed with powder that has coagulation in pressure measurement in chemical industry or with high corrosiveness.

### Safety Management

- Be sure to install a protecting device where exist abrupt change of pressure, vibration and pulsation.
- Do not give impact during the transportation, installation and usage.
- Be sure to install pressure gauge to be horizontal and vertical.
- Do not disassemble the measuring device at your discretion.

### Purpose of Use

- Measuring of Slurry micro pressure in terminal disposal plant of sewage
- Measuring of liquidity gas micro pressure in incinerator
- For measuring micro pressure in hard condition where measuring cannot be done by other measurement devices due to other unfavorable conditions.

### Production Specification

- ▶ **Diameter**
  - 100, 150 mm
- ▶ **Accuracy**
  - $\pm 1.5\%$  of Full Scale
- ▶ **Scale Range**
  - $-2 \text{ kPa} \sim 0, -1 + 1 \text{ kPa} \sim -20 + 20 \text{ kPa},$
  - $0 \sim 35 \text{ kPa}$
  - ( $\times 1 \text{ kPa} = 101.9716 \text{ mmH}_2\text{O}$ )
- ▶ **Working Pressure**
  - Static pressure : 75% of Full Scale
  - Fluctuating pressure : 60% of Full Scale
- ▶ **Working Temperature**
  - Ambient :  $-20 \sim 80 \text{ }^\circ\text{C}$
  - Fluid :  $-20 \sim 80 \text{ }^\circ\text{C}$

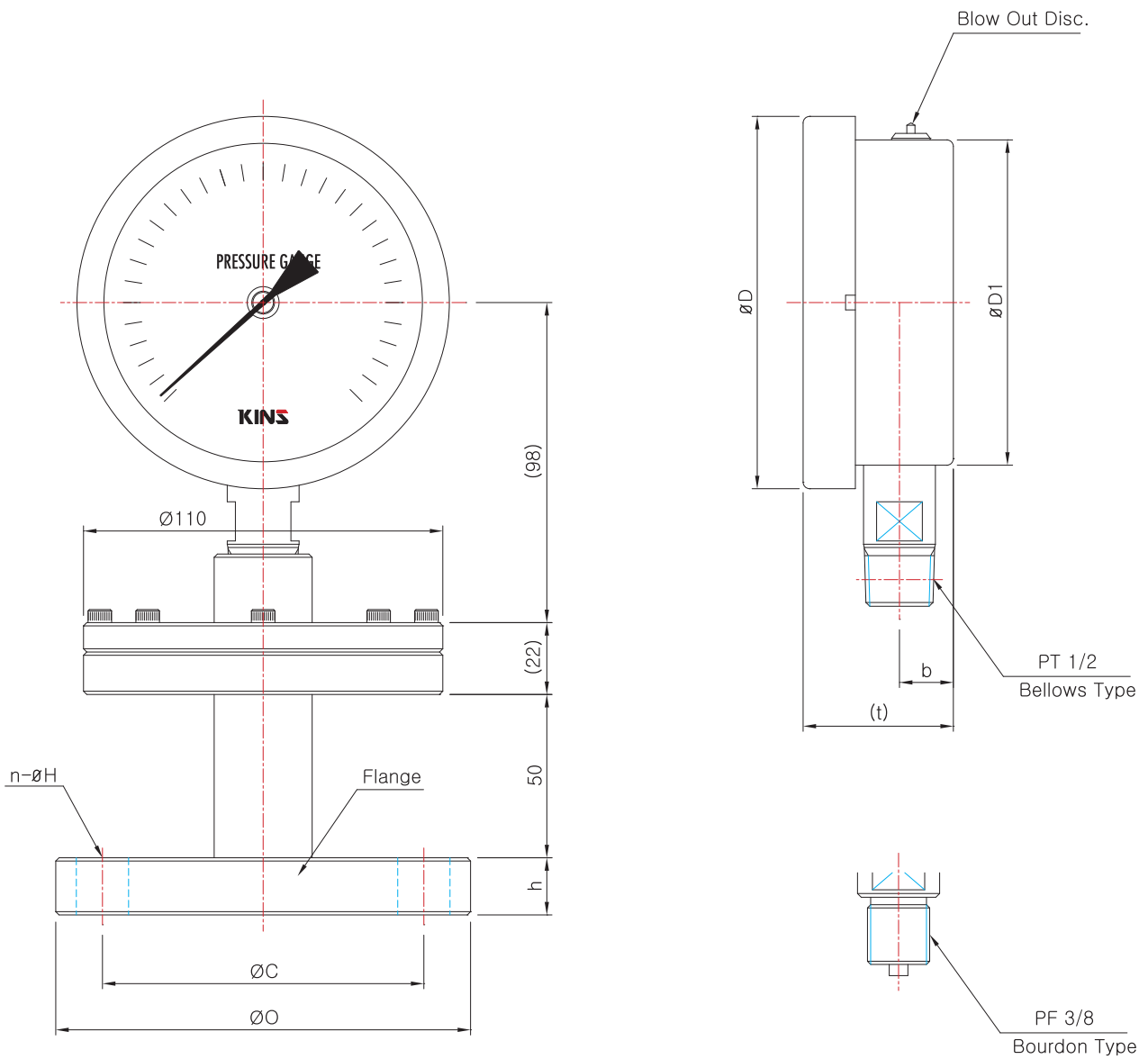
### Product Specification

<ul style="list-style-type: none"> <li>+ <b>Case &amp; Cover</b> <ul style="list-style-type: none"> <li>· STS 304</li> </ul> </li> <li>+ <b>Upper Flange</b> <ul style="list-style-type: none"> <li>· STS 304, STS 316</li> </ul> </li> <li>+ <b>Under Flange</b> <ul style="list-style-type: none"> <li>· STS 304, STS 316</li> </ul> </li> <li>+ <b>Connection</b> <ul style="list-style-type: none"> <li>· STS 316</li> <li>· See flange standard table</li> </ul> </li> </ul>	<ul style="list-style-type: none"> <li>+ <b>Window</b> <ul style="list-style-type: none"> <li>· Tempered safety glass, Laminated safety glass</li> </ul> </li> <li>+ <b>Type</b> <ul style="list-style-type: none"> <li>· SS-3056-Type (Direct-flange type)</li> </ul> </li> <li>+ <b>Pointer</b> <ul style="list-style-type: none"> <li>· Aluminum</li> <li>· Black coating</li> </ul> </li> <li>+ <b>Dial</b> <ul style="list-style-type: none"> <li>· Aluminum</li> <li>· White color coating</li> <li>· black (kPa), red (mbar) gradation and characters</li> </ul> </li> </ul>	<ul style="list-style-type: none"> <li>+ <b>Movement</b> <ul style="list-style-type: none"> <li>· Brass</li> </ul> </li> <li>+ <b>Diaphragm</b> <ul style="list-style-type: none"> <li>· STS 304, STS 316</li> <li>· Teflon(Lining, Coating), Titanium</li> <li>· Able to produce teflon(lining, coating)titanium, tantalum, hastelloy, etc</li> </ul> </li> </ul>
---	---	--

# Diaphragm Type Low Pressure Gauge

Model No. **SS-3056 Series**

Model No. | **SS-3056 (100mm)**  
A-Type (Rimless type), Direct Type



**Dimensions (mm)**

Model No.	ØD	ØD1	b	t	JIS 10kgf/cm <sup>2</sup>	ØO	ØC	n-ØH	h	ANSI CLASS #150	ØO	ØC	n-ØH	h
SS-3056	114	100	17	(46)	15A	95	70	4-Ø15	12	1/2B	89	60.3	4-Ø16	11.5
					20A	100	75	4-Ø15	14	3/4B	98	69.9	4-Ø16	13.0
					25A	125	90	4-Ø19	14	1B	108	79.4	4-Ø16	14.5
					32A	135	100	4-Ø19	16	1 1/4B	117	88.9	4-Ø16	16.0
					40A	140	105	4-Ø19	16	1 1/2B	127	98.4	4-Ø16	17.5
					50A	155	120	4-Ø19	16	2B	152	120.6	4-Ø19	19.5

\*( )The measurement in the blanket is approximate.

Pressure Gauge

Differential Pressure Gauge & Switch

Accessories of Pressure Gauge

Thermometer & Thermometer Switch

Thermocouple & R.T.D

Thermowell

Transmitter

Indicator etc.

Technical data